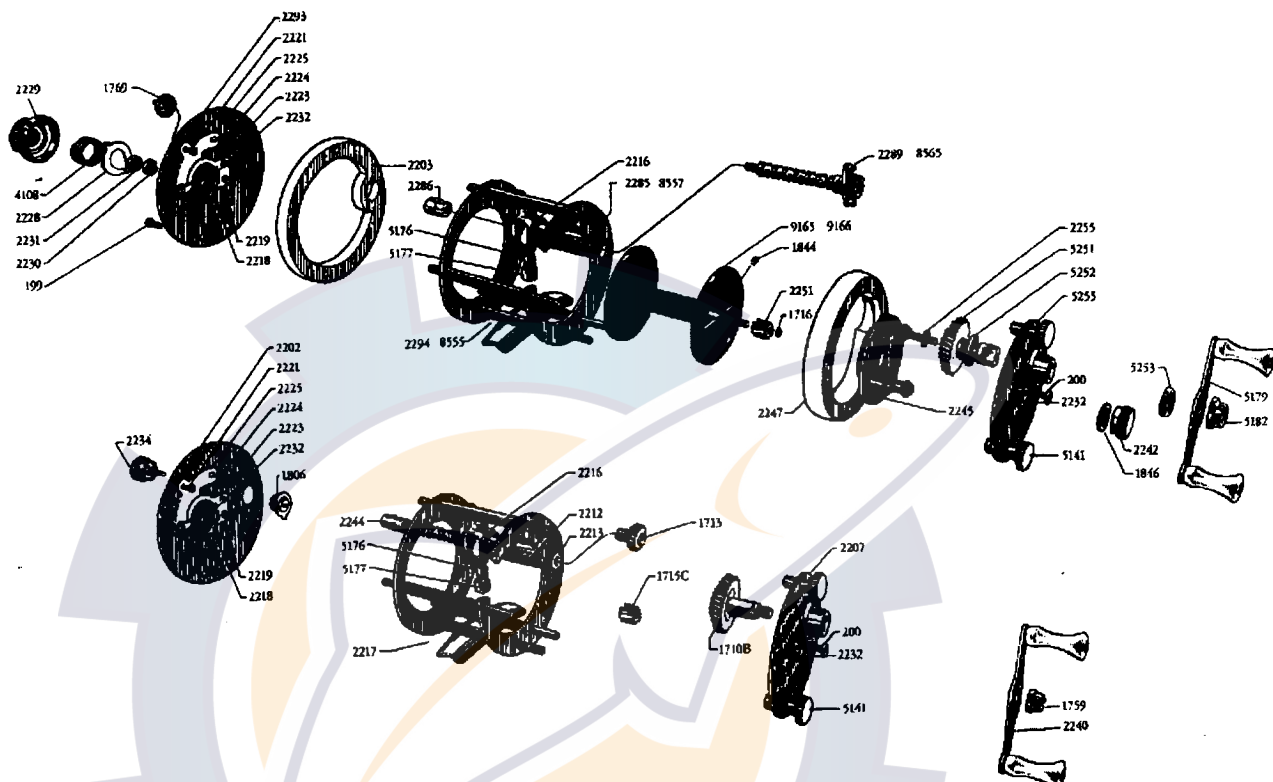




AMBASSADEUR 2000-2050



No.	Part Name	Price	No.	Part Name	Price	No.	Part Name	Price
199	Pillar screw	.10	2218	Click spring	.20	2286	Left carriage screw bearing	.45
200	Bridge screw	.10	2219	Click spring rivet	.05	2289	Carriage screw	2.50
1710B	Main gear	2.25	2221	Click button rivet	.05	2293	Left housing plate, complete	5.00
1713	Carriage screw gear	.50	2223	Click arm rivet	.05	2294	Frame with #2216 and #2285	6.00
1715C	Right pinion	.60	2224	Collar plate	.05	4108	Anti-backlash spring	.10
1716	Pinion "C" lock	.05	2225	Click arm with rivet and click tongue	.50	5141	Housing plate anchor screw	.25
1759	Handle nut	.30	2228	Brake pointer	.10	5176	Carriage pawl	.75
1769	Click button	.10	2229	Left spool cap with #2228 and #4108	1.50	5177	Line carriage nut	.25
1806	Carriage screw nut bearing	.25	2230	Brake washer	.05	5179	Handle, complete	1.75
1844A	Brake block—small	.05	2231	Stress cushion	.05	5182	Handle nut	.50
1844B	Brake block—medium	.05	2232	Spool shaft bearing	.25	5251	Main gear	2.00
1844C	Brake block—large	.05	2234	Carriage screw holding nut	1.00	5252	Friction washer	.10
1846	Spacer	.10	2240	Handle, complete	1.75	5253	Lock ring	.10
2202	Left housing plate, complete	5.00	2242	Right spool cap	1.00	5255	Right housing plate	3.25
2203	Tail ring	1.25	2244	Carriage screw	1.50	8555	Frame with #8557 and #2216 (2050)	6.00
2207	Right housing plate	3.25	2245	Brake plate	1.25	8557	Carriage screw guard (2050)	1.50
2212	Carriage screw guard	1.50	2247	Head ring	1.25	8565	Carriage screw (2050)	2.50
2213	Carriage screw bearing bushing	.25	2251	Right pinion	.60	9165	Spool and pinion with container (2000)	4.05
2216	Line carriage	2.25	2255	Axle bearing	.05	9166	Spool and pinion with container (2050)	4.05
2217	Frame with #2212, #2213, and #2216	6.00	2285	Carriage screw guard	1.50			



THE GARCIA CORPORATION • ALFRED AVENUE • TEANECK • NEW JERSEY